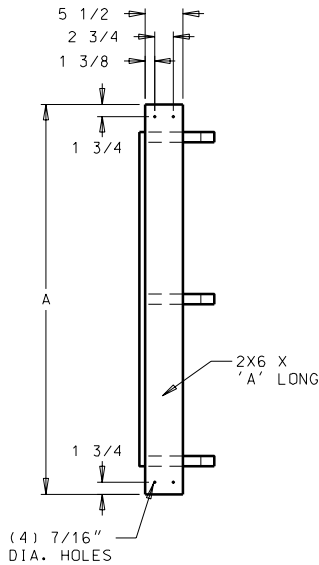


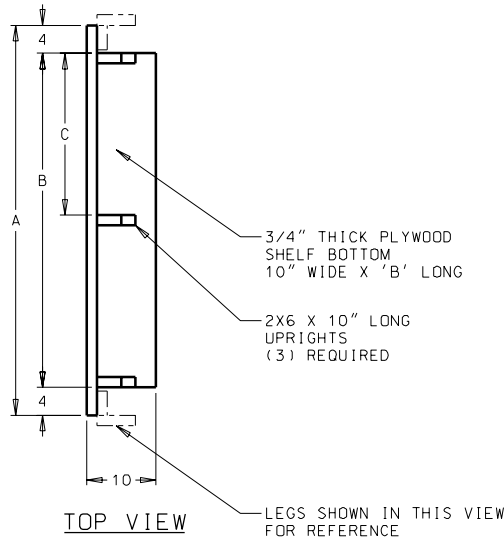
BED SIZE	DIMENSIONS		
	'A'	'B'	'C'
TWIN	40	32	15 1/4
TWIN EXTRA LONG	40	32	15 1/4
FULL	56	48	23 1/4
QUEEN	64	56	27 1/4
KING	82	74	36 1/4

NOTES:

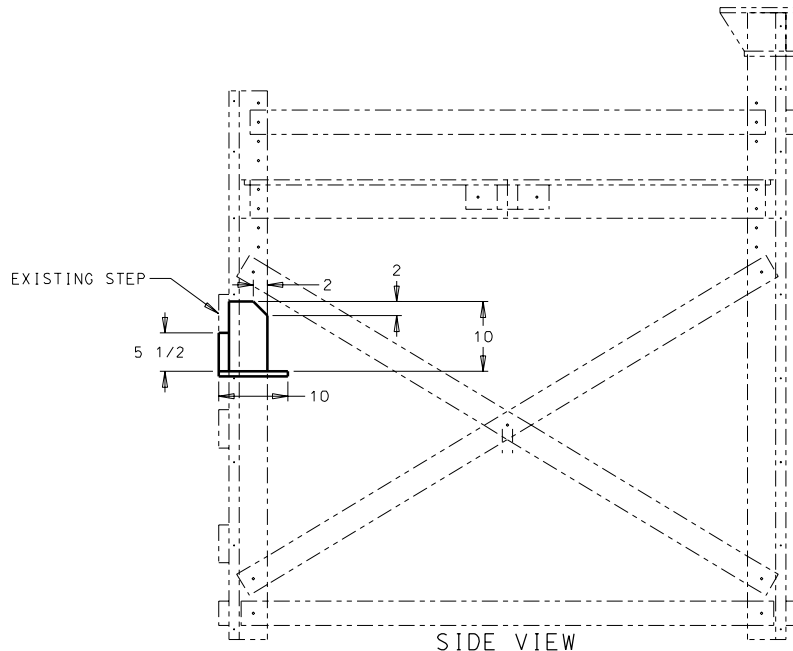
1. ALL DIMENSIONS ARE IN INCHES.
2. ALL HOLES ARE 7/16" DIA. UNLESS NOTED OTHERWISE.
3. JOINTS BETWEEN 2X6'S ARE GLUED AND SCREWED TOGETHER WITH #10 X 3 1/2" LG. WOOD SCREWS. (2) PER JOINT.
4. 3/4" THICK PLYWOOD SHELF BOTTOM IS GLUED AND SREWED TO 2X6'S WITH #8 X 2" LG. WOOD SCREWS. (1) APPROXIMATELY EVERY 12".
5. ATTACH SHELF TO LEGS WITH (4) 3/8 X 3 3/4" LG. BOLTS, WASHERS, LOCK WASHERS, AND WING NUTS.



SIDE VIEW



TOP VIEW



SIDE VIEW



THIS MATERIAL IS THE PROPERTY OF THE OP LOFTBED COMPANY AND SHOULD NOT BE REPRODUCED, PUBLISHED OR DISCLOSED TO OTHERS WITHOUT AUTHORIZATION AND SHALL NOT BE USED IN ANY WAY AGAINST OR DETRIMENTAL TO THE OP LOFTBED COMPANY  
 © COPYRIGHT 2003 OP LOFTBED COMPANY

D.P. LOFTBED BOOKSHELF  
 DESIGNED BY: CHARLES W CRANFORD  
 DATE: 02/16/03 REV: A