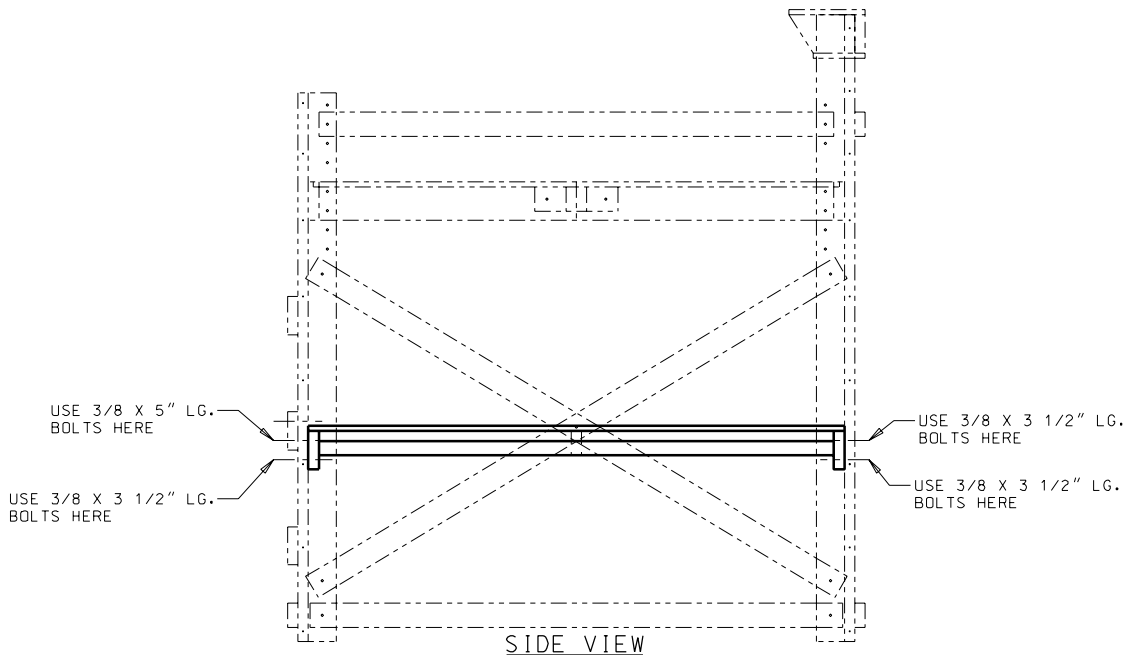
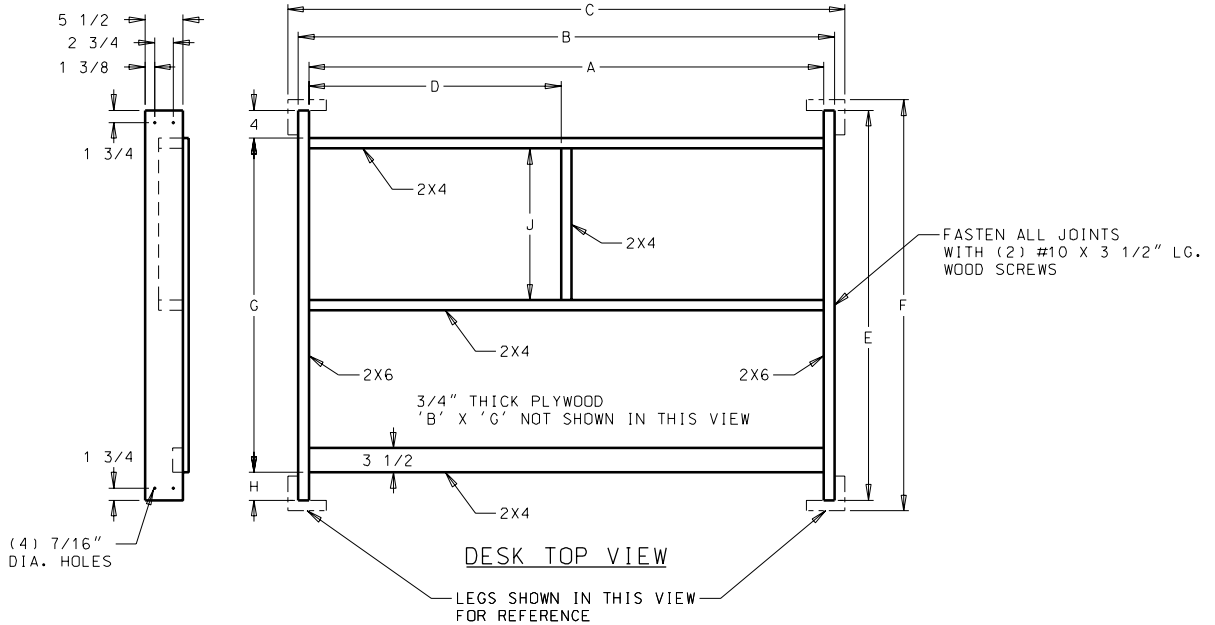


BED SIZE	DIMENSIONS								
	'A'	'B'	'C'	'D'	'E'	'F'	'G'	'H'	'J'
TWIN	74	77	80	36 1/4	40	43	32	4	13 3/4
TWIN EXTRA LONG	79	82	85	38 3/4	40	43	32	4	13 3/4
FULL	74	77	80	36 1/4	56	59	48	4	21 3/4
QUEEN	79	82	85	38 3/4	64	67	48	12	21 3/4
KING	79	82	85	38 3/4	82	85	48	30	21 3/4

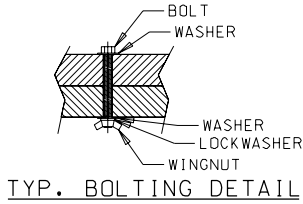


THIS MATERIAL IS THE PROPERTY OF THE OP LOFTBED COMPANY AND SHOULD NOT BE REPRODUCED, PUBLISHED OR DISCLOSED TO OTHERS WITHOUT AUTHORIZATION AND SHALL NOT BE USED IN ANY WAY AGAINST OR DETRIMENTAL TO THE OP LOFTBED COMPANY © COPYRIGHT 2001 OP LOFTBED COMPANY

PAGE 1 OF 2

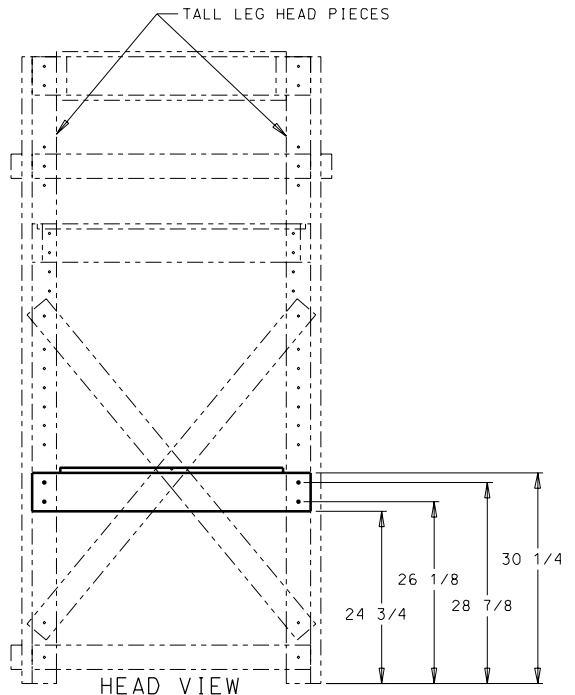
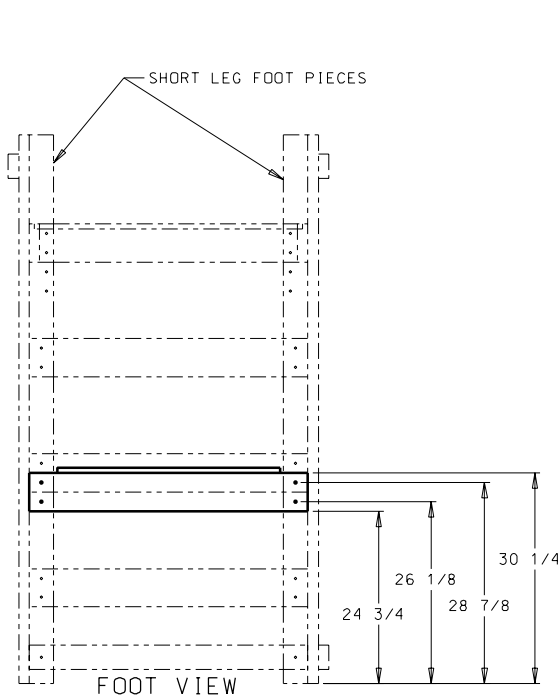
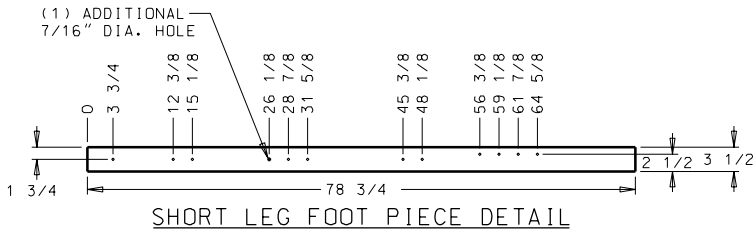
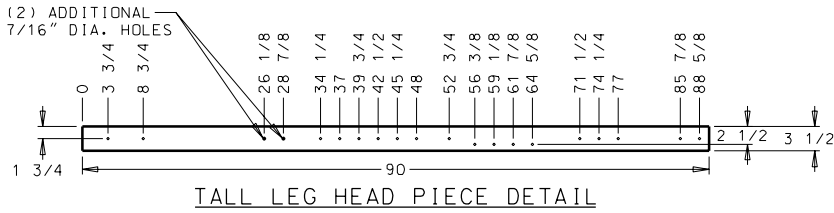
O.P. LOFTBED
DESK

DESIGNED BY: CHARLES W CRANFORD
DATE: 05/02/01 REV: A



NOTES:

1. ALL DIMENSIONS ARE IN INCHES.
2. ALL HOLES ARE 7/16" DIA. UNLESS NOTED OTHERWISE.
3. MATERIALS:
 - (2) 2 X 6 X 96
 - (3) 2 X 4 X 93
 - (1) 3/4" PLYWOOD SHEET (FINAL SIZE = 'B' X 'G')
 - (2) 3/8-16UNC X 5" LG. BOLTS
 - (6) 3/8-16UNC X 3 1/2" LG. BOLTS
 - (8) 3/8-16 WINGNUTS
 - (16) 3/8 FLAT WASHERS
 - (8) 3/8 LOCK WASHERS
 - (16) #10 X 3 1/2" LG. FLAT HEAD PHILIPS WOOD SCREWS
 - (40) #8 X 2" LG. FLAT HEAD PHILIPS WOOD SCREWS
4. JOINTS BETWEEN 2X4'S AND 2X6'S ARE GLUED AND SCREWED TOGETHER WITH #10 X 3 1/2" LG. WOOD SCREWS. (2) PER JOINT.
5. 3/4" THICK PLYWOOD DESKTOP IS GLUED AND SREWED TO 2X4'S AND 2X6'S WITH #8 X 2" LG. WOOD SCREWS. (1) APPROXIMATELY EVERY 12".



THIS MATERIAL IS THE PROPERTY OF THE OP LOFTBED COMPANY AND SHOULD NOT BE REPRODUCED, PUBLISHED OR DISCLOSED TO OTHERS WITHOUT AUTHORIZATION AND SHALL NOT BE USED IN ANY WAY AGAINST OR DETRIMENTAL TO THE OP LOFTBED COMPANY
© COPYRIGHT 2001 OP LOFTBED COMPANY

O.P. LOFTBED
DESK
DESIGNED BY: CHARLES W CRANFORD
DATE: 05/02/01 REV: A